

# Panel mounted receptacle JE

High current socket outlet for the electrical connection of mobile consumer loads like construction machines, tunnel boring machines, conveyors, mining machines, cranes, ships, induction melting furnaces, test equipment, worksite distribution boards, etc.

Suitable for mobile plugs (JS).



200 A



250 / 400 A

### Characteristics

- Current 200A, 250A, 400A
- Voltage up to 1'000 VAC, 50/60 Hz
- Number of poles: 4 poles (3L+PEN), 5 poles (3L+N+PE)
- Equipped with 2 leading pilot contacts
- Execution in accordance with IEC EN SN 60309-1
- Voltage identification in accordance with IEC EN SN 60309-2
- Very robust design
- Silver plated contact parts
- All screws and terminals in stainless steel
- Front part of the contact sleeves are exchangeable from the front side (250A and 400A), without removing the connected cable

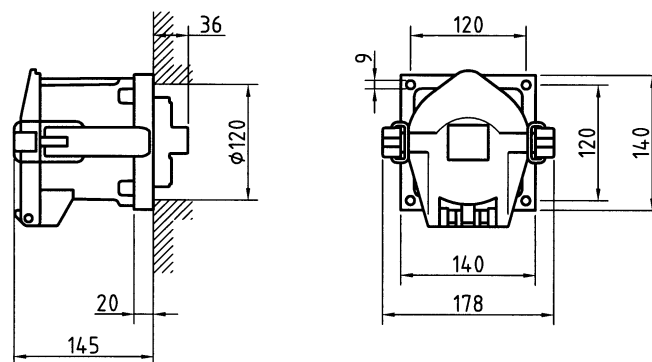
## Technical data

Size	A	200	250	400
Rated current	A	250	315	450
Rated voltage	V	1'000	1'000	1'000
Rated frequency *	Hz	50 / 60	50 / 60	50 / 60
Withstand voltage (1 Min / 50 Hz)	V	4'000	4'000	4'000
Protection grade		IP X7	IP X7	IP X7
Ambient temperature	°C	-40 / +100	-40 / +100	-40 / +100
Insulation resistance (phase to phase and phase-to earth)	MOhm	> 500	> 500	> 500
Comparative tracking index of the insert	CTI	> 600	> 600	> 600
Weight 4 poles (3L+PEN)	kg	3.2	6.8	6.8
Weight 5 poles (3L+N+PE)	kg	3.5	7.3	7.3
Min. cross section, rigid conductors EN 60228 Class 1+2	mm <sup>2</sup>	70	70	70
Max. cross section, rigid conductors EN 60228 Class 1+2	mm <sup>2</sup>	150	240	240
Cross section <b>pilot cable</b> , conductor EN 60228 Class 1	mm <sup>2</sup>	up to 4	up to 4	up to 4

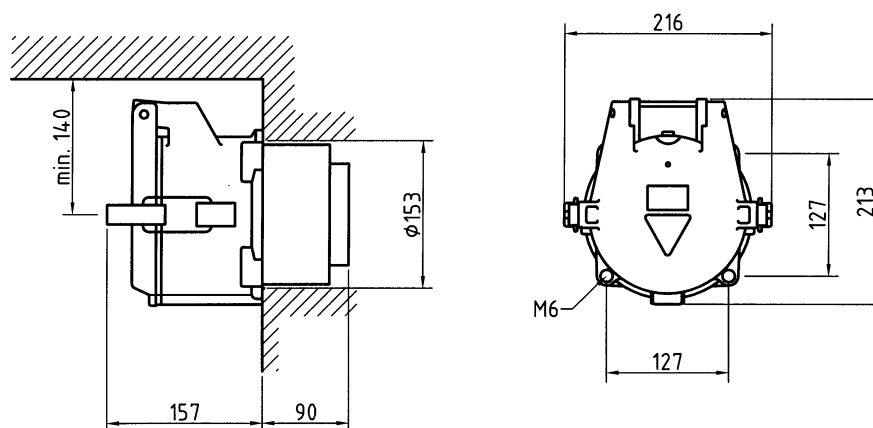
\* other frequencies on request

## Dimensional drawings

JE/200A



JE/250A  
JE/400A



## Ordering information

Current	Number of poles	Voltage/Identification	Type designation	Article No.
200 A	4 (3L+PEN)	230V / 9h	JE-S4/200A/230V	11760
		400V / 6h	JE-S4/200A/400V	11761
		500V / 7h	JE-S4/200A/500V	11762
		690V / 5h	JE-S4/200A/690V	11763
		1'000V / 1h	JE-S4/200A/1000V	11764
200 A	5 (3L+N+PE)	230V / 9h	JE-S5/200A/230V	11765
		400V / 6h	JE-S5/200A/400V	11766
		500V / 7h	JE-S5/200A/500V	11767
		690V / 5h	JE-S5/200A/690V	11768
		1'000V / 1h	JE-S5/200A/1000V	11769

Current	Number of poles	Voltage/Identification	Type designation	Article No.
250 A	4 (3L+PEN)	230V / 9h	JE-S4/250A/230V	11770
		400V / 6h	JE-S4/250A/400V	11771
		500V / 7h	JE-S4/250A/500V	11772
		690V / 5h	JE-S4/250A/690V	11773
		1'000V / 1h	JE-S4/250A/1000V	11774
250 A	5 (3L+N+PE)	230V / 9h	JE-S5/250A/230V	11775
		400V / 6h	JE-S5/250A/400V	11776
		500V / 7h	JE-S5/250A/500V	11777
		690V / 5h	JE-S5/250A/690V	11778
		1'000V / 1h	JE-S5/250A/1000V	11779

Current	Number of poles	Voltage/Identification	Type designation	Article No.
400 A	4 (3L+PEN)	230V / 9h	JE-S4/400A/230V	11780
		400V / 6h	JE-S4/400A/400V	11781
		500V / 7h	JE-S4/400A/500V	11782
		690V / 5h	JE-S4/400A/690V	11783
		1'000V / 1h	JE-S4/400A/1000V	11784
400 A	5 (3L+N+PE)	230V / 9h	JE-S5/400A/230V	11785
		400V / 6h	JE-S5/400A/400V	11786
		500V / 7h	JE-S5/400A/500V	11787
		690V / 5h	JE-S5/400A/690V	11788
		1'000V / 1h	JE-S5/400A/1000V	11789

