

Inlet JGU

High current plug for the electrical connection of mobile consumer loads like construction machines, tunnel boring machines, conveyors, mining machines, cranes, ships, induction melting furnaces, test equipment, worksite distribution boards, etc.

Suitable for mobile connectors (JK).



200 A



250 / 400 A

Characteristics

- Current 200A, 250A, 400A
- Voltage up to 1'000 VAC, 50/60 Hz
- Number of poles: 4 poles (3L+PEN), 5 poles (3L+N+PE)
- Equipped with 2 leading pilot contacts
- Execution in accordance with IEC EN SN 60309-1
- Voltage identification in accordance with IEC EN SN 60309-2
- Very robust design
- Silver plated contact parts
- All screws and terminals in stainless steel
- Front part of the contact pins are exchangeable from the front side (250A and 400A), without removing the connected cable
- Cable gland for cable 45 – 66 mm diameter

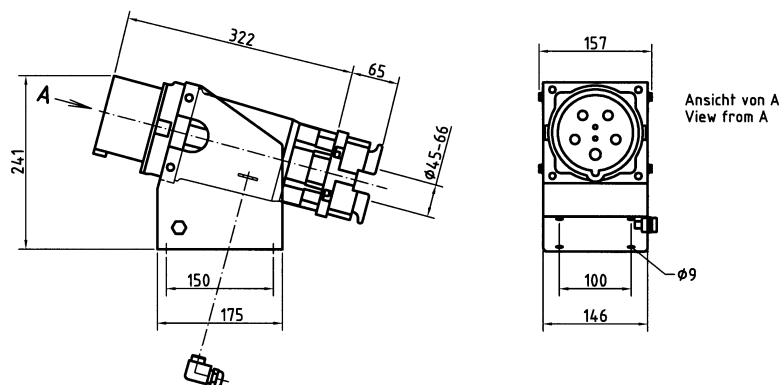
Technical data

Size	A	200	250	400
Rated current	A	250	315	450
Rated voltage	V	1'000	1'000	1'000
Rated frequency *	Hz	50 / 60	50 / 60	50 / 60
Withstand voltage (1 Min / 50 Hz)	V	4'000	4'000	4'000
Protection grade		IP X7	IP X7	IP X7
Ambient temperature	°C	-40 / +100	-40 / +100	-40 / +100
Insulation resistance (phase to phase and phase-to earth)	MOhm	> 500	> 500	> 500
Comparative tracking index of the insert	CTI	> 600	> 600	> 600
Weight 4 poles (3L+PEN)	kg	3.6	10.0	10.0
Weight 5 poles (3L+N+PE)	kg	3.8	10.5	10.5
Min. cross section, rigid conductors EN 60228 Class 1+2	mm ²	70	70	70
Max. cross section, rigid conductors EN 60228 Class 1+2	mm ²	150	240	240
Cross section pilot cable , conductor EN 60228 Class 1	mm ²	up to 4	up to 4	up to 4
Diameter of cable				
- normal	mm	45 - 65	45 - 65	45 - 65
- max. on request	mm	-	up to 80	up to 80
Diameter of cable				
- separate pilot cable	mm	5 - 10	8 - 15	8 - 15

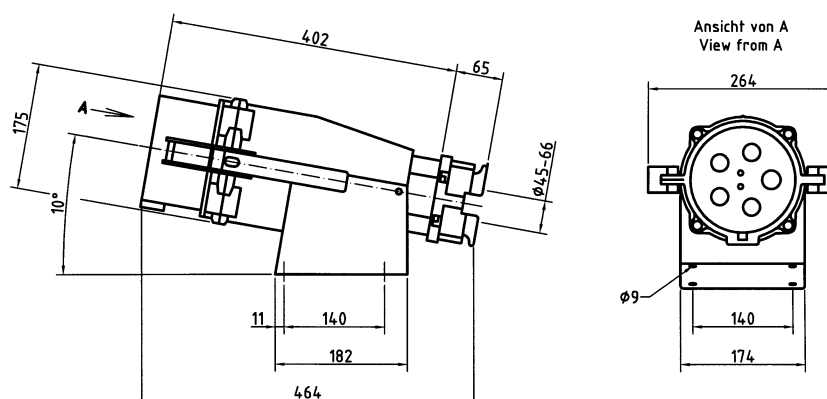
* other frequencies on request

Dimensional drawings

JGU/200A



JGU/250A
JGU/400A




Ordering information

Current	Number of poles	Voltage/Identification	Type designation	Article No.
200 A	4 (3L+PEN)	230V / 9h	JGU-S4/200A/230V	11700
		400V / 6h	JGU-S4/200A/400V	11701
		500V / 7h	JGU-S4/200A/500V	11702
		690V / 5h	JGU-S4/200A/690V	11703
		1'000V / 1h	JGU-S4/200A/1000V	11704
200 A	5 (3L+N+PE)	230V / 9h	JGU-S5/200A/230V	11705
		400V / 6h	JGU-S5/200A/400V	11706
		500V / 7h	JGU-S5/200A/500V	11707
		690V / 5h	JGU-S5/200A/690V	11708
		1'000V / 1h	JGU-S5/200A/1000V	11709

Current	Number of poles	Voltage/Identification	Type designation	Article No.
250 A	4 (3L+PEN)	230V / 9h	JGU-S4/250A/230V	11710
		400V / 6h	JGU-S4/250A/400V	11711
		500V / 7h	JGU-S4/250A/500V	11712
		690V / 5h	JGU-S4/250A/690V	11713
		1'000V / 1h	JGU-S4/250A/1000V	11714
250 A	5 (3L+N+PE)	230V / 9h	JGU-S5/250A/230V	11715
		400V / 6h	JGU-S5/250A/400V	11716
		500V / 7h	JGU-S5/250A/500V	11717
		690V / 5h	JGU-S5/250A/690V	11718
		1'000V / 1h	JGU-S5/250A/1000V	11719

Current	Number of poles	Voltage/Identification	Type designation	Article No.
400 A	4 (3L+PEN)	230V / 9h	JGU-S4/400A/230V	11720
		400V / 6h	JGU-S4/400A/400V	11721
		500V / 7h	JGU-S4/400A/500V	11722
		690V / 5h	JGU-S4/400A/690V	11723
		1'000V / 1h	JGU-S4/400A/1000V	11724
400 A	5 (3L+N+PE)	230V / 9h	JGU-S5/400A/230V	11725
		400V / 6h	JGU-S5/400A/400V	11726
		500V / 7h	JGU-S5/400A/500V	11727
		690V / 5h	JGU-S5/400A/690V	11728
		1'000V / 1h	JGU-S5/400A/1000V	11729

Accessories

Description	Figure	Thread	Ø cable	Weight	Article No.
Cover cap for JGU/200A				0.83 kg	12122
Cover cap for JGU/250A and JGU/400A				1.20 kg	12123
Screwed cable gland for separate pilot cable for JGU/200A		PG11	5-10 mm	0.03 kg	13642

If required pilot cables can be inserted separately into the housing of the plug/socket outlet (screwed cable gland).

The inlets JGU/250A and JGU/400A are serially equipped with a screwed cable gland M20x1.5 for separate pilot cables.