

High current plugs and sockets

Receptacle JWL

Electrically interlocked, with circuit breaker

High current socket outlet for the electrical connection of mobile consumer loads like construction machines, tunnel boring machines, conveyors, mining machines, cranes, ships, induction melting furnaces, test equipment, worksite distribution boards, etc.

Suitable for mobile plugs (JS).



200 A

Characteristics

- Current 200A, 250A, 400A
- Voltage up to 690 VAC, 50/60 Hz
- Number of poles: 4 poles (3L+PEN), 5 poles (3L+N+PE)
- Equipped with 2 leading pilot contacts
- Execution in accordance with IEC EN SN 60309-1, IEC EN SN 60439-1, IEC EN SN 60947-2
- Voltage identification in accordance with IEC EN SN 60309-2
- Sheet steel enclosure, powder-coated RAL 1021 (saltwater-proof V2A or V4A on request)
- Equipped with triple-pole circuit breaker 36 kA, with thermal and magnetic overload release, electrical interlock with undervoltage release, with auxiliary contact block (4-pole circuit breaker on request)
- Control voltage 230 V or 400 V, protected with MCB (50 kA)
- Cable inlets alternatively from top or bottom
- Silver plated contact parts
- All screws and terminals in stainless steel
- Front part of the contact sleeves are exchangeable from the front side (250A and 400A), without removing the connected cable
- Cable entry bushing for cable 20 – 65 mm diameter

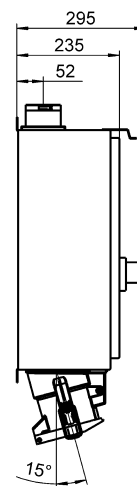
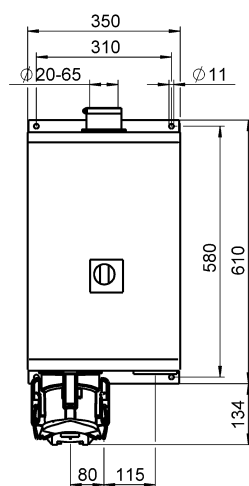
Technical data

Size	A	200	250	400
Rated current	A	250	315	450
Rated voltage	V	690	690	690
Rated frequency *	Hz	50 / 60	50 / 60	50 / 60
Rated ultimate short-circuit breaking capacity I _{cu} (400V)	kA	36	36	36
Thermo magnetic current setting range	A	bis 250	bis 250	bis 400
Withstand voltage (1 Min / 50 Hz)	V	3'000	3'500	3'500
Protection grade		IP 54	IP 54	IP 54
Ambient temperature	°C	-25 / +70	-25 / +70	-25 / +70
Insulation resistance (phase to phase and phase-to earth)	MOhm	> 500	> 500	> 500
Comparative tracking index of the insert	CTI	> 600	> 600	> 600
Weight 4 poles (3L+PEN)	kg	25.1	45.6	45.6
Weight 5 poles (3L+N+PE)	kg	25.3	47.1	47.1
Connection bolts for cable shoes		M10	M10	M10
Cross section pilot cable , conductor EN 60228 Class 1	mm ²	bis 4	bis 4	bis 4
Diameter of cable				
- normal	mm	25 - 65	25 - 65	25 - 65
- max. on request	mm	-	bis 80	bis 80

* other frequencies on request

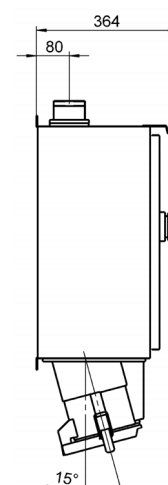
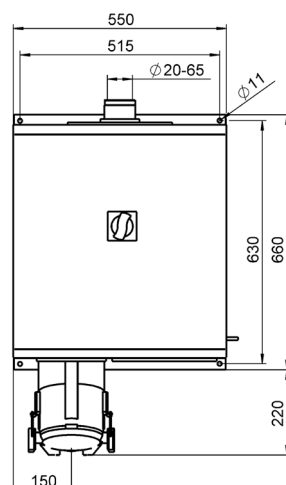
Dimensional drawings

JWL/200A



JWL/250A

JWL/400A



Ordering information

Current	Number of poles	Voltage/Identification	Type designation	Article No.
200 A	4 (3L+PEN)	230V / 9h	JWL-S4/200A/230V	17360
		400V / 6h	JWL-S4/200A/400V	17361
		500V / 7h	JWL-S4/200A/500V	17362
		690V / 5h	JWL-S4/200A/690V	17363
200 A	5 (3L+N+PE)	230V / 9h	JWL-S5/200A/230V	17365
		400V / 6h	JWL-S5/200A/400V	17366
		500V / 7h	JWL-S5/200A/500V	17367
		690V / 5h	JWL-S5/200A/690V	17368

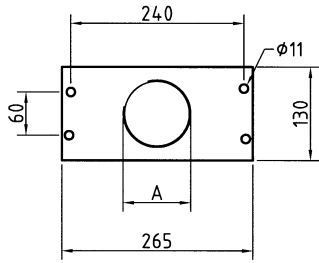
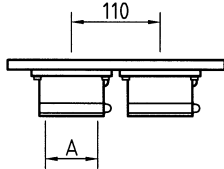
Current	Number of poles	Voltage/Identification	Type designation	Article No.
250 A	4 (3L+PEN)	230V / 9h	JWL-S4/250A/230V	17370
		400V / 6h	JWL-S4/250A/400V	17371
		500V / 7h	JWL-S4/250A/500V	17372
		690V / 5h	JWL-S4/250A/690V	17373
250 A	5 (3L+N+PE)	230V / 9h	JWL-S5/250A/230V	17375
		400V / 6h	JWL-S5/250A/400V	17376
		500V / 7h	JWL-S5/250A/500V	17377
		690V / 5h	JWL-S5/250A/690V	17378

Current	Number of poles	Voltage/Identification	Type designation	Article No.
400 A	4 (3L+PEN)	230V / 9h	JWL-S4/400A/230V	17380
		400V / 6h	JWL-S4/400A/400V	17381
		500V / 7h	JWL-S4/400A/500V	17382
		690V / 5h	JWL-S4/400A/690V	17383
400 A	5 (3L+N+PE)	230V / 9h	JWL-S5/400A/230V	17385
		400V / 6h	JWL-S5/400A/400V	17386
		500V / 7h	JWL-S5/400A/500V	17387
		690V / 5h	JWL-S5/400A/690V	17388

Accessories

Description	Figure	Thread	Ø cable	Weight	Article No.
Cover plate for JWL/250A and JWL/400A		1xM64x2	43-53 mm	0.50 kg	12135
Cover plate and JWL/250A and JWL/400A		1xM80x2	54-61 mm	0.46 kg	12136

Accessories

Description	Figure	Thread	Ø cable	Weight	Article No.
Cover plate for JWL/250A and JWL/400A		1xM94x2	62-80 mm	0.60 kg	12137
Cover plate with 2 cable inlets for JWL/250A and JWL/400A		2x Ø65	2x45-65 mm	1.18 kg	12138

Please provide the control voltage when placing an order!

Remarks:

Rated voltage = 690V, higher values up to 1'000 V on request

Rated ultimate short-circuit breaking capacity = 36 kV, higher values on request

Additional residual-current protective device RCD (30 mA up to 3 A) on request